

RAIN S050 - S050 S

Rain S050 and S050 S are gear-driven, rotary type sprinklers, capable of covering an area of 5.2 to 9.1 m radius at nozzle pressure of 2.1 to 3.4 bar with a discharge rate of 2.84 to 12.5 LPM.

They are perfect for small lawn and landscape areas and for replacing fixed sprays.

Rain S050 and S050 S are supplied with five (5) numerically coded interchangeable nozzles. Sprinklers nozzle trajectory are 26°. The sprinklers have a stainless steel radius adjustment screw.

Rain S050 and S050 S provide arc adjustment from 40° to 360°.



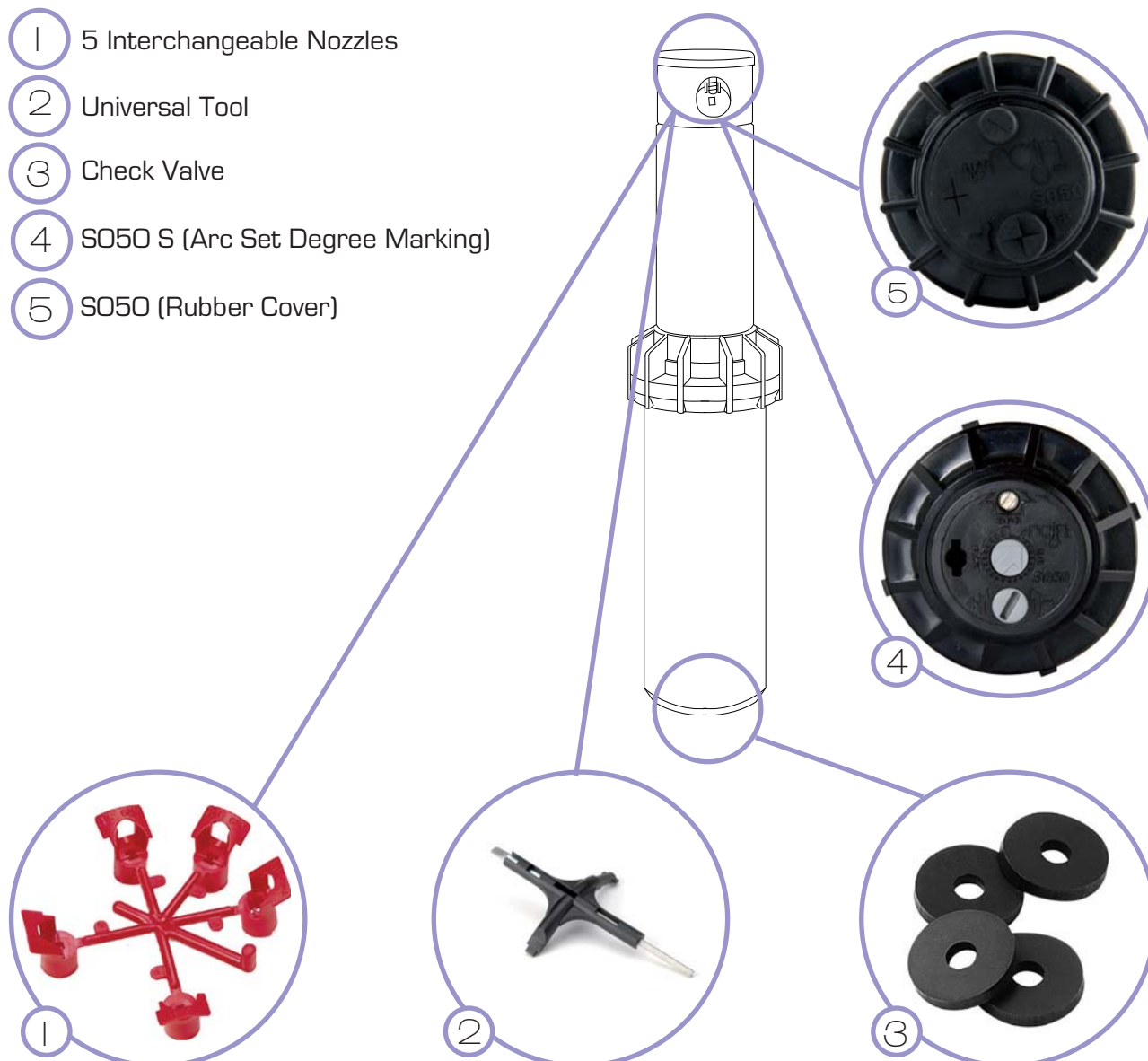
S 050 cod. 280.1290101



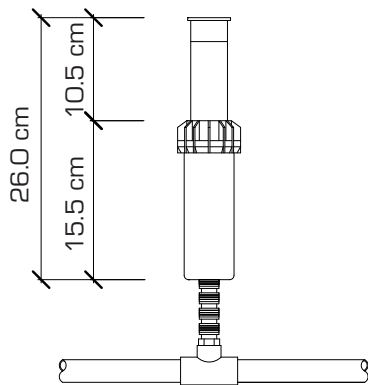
S 050 S cod. 280.1290102

TECHNICAL FEATURES

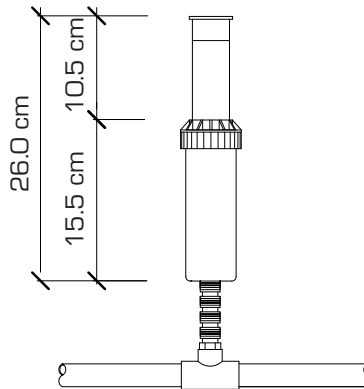
- 1 5 Interchangeable Nozzles
- 2 Universal Tool
- 3 Check Valve
- 4 S050 S (Arc Set Degree Marking)
- 5 S050 (Rubber Cover)



S050

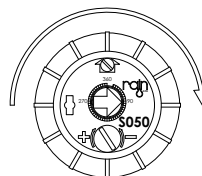
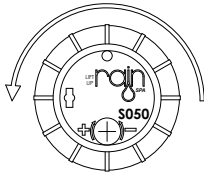


S050 S



NOZZLES PERFORMANCES 26°

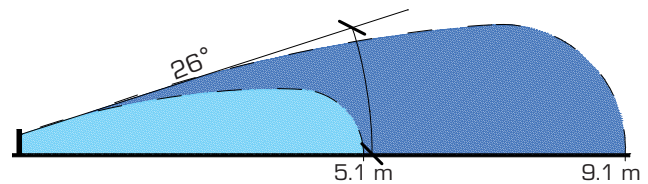
Nozzle	Bar	m	l/min
1.5 Pre-installed	2.1	5.1	2.84
	2.8	5.1	3.03
	3.4	5.4	3.41
0.75	2.1	6.0	3.41
	2.8	6.3	4.54
	3.4	6.3	4.92
1	2.1	6.9	5.30
	2.8	7.2	6.44
	3.4	7.2	7.20
2	2.1	7.5	6.82
	2.8	8.1	7.95
	3.4	8.1	9.09
2	2.1	8.4	10.20
	2.8	9.0	11.40
	3.4	9.0	12.50



Specifications

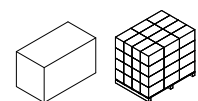
- Inlet: 1/2" F
- Arc Adjustment Range: 40° - 360°
- Flow Range: 2,8 - 12,5 l/m
- Pressure Rating: 1,4 - 5,0 Bar
- Precipitation Rate: 0,5 to 1 cm per Hour (Depending on Spacing and Nozzle Used)
- Overall Height (Popped down): 15,2 cm
- Recommended Spacing: 5,2 to 8,5 m
- Radius: 5,2 to 9,1 m
- Nozzle Trajectory: 26°
- Riser Height: 10,2 cm

Nozzles Radius



Features end Benefits

- S050 Right position start – rotor rotates counter-clockwise from fixed right start position
- S050 Rubber cover – seals out dirt and increases product durability
- S050 S Left position start – rotor rotates clockwise from fixed left start position
- S050 S Patented Arc Set Degree Markings—Clearly indicates the current watering pattern and simplifies arc set adjustment
- Time proven patented reversing mechanism – Assures continuous reverse and return...over a 20 year history
- Ratcheting riser – allows for easy adjustment of your starting position with a simple turn of the riser
- Wide selection of nozzles – provides flexibility in system design
- Optional check valve – prevents low head drainage
- Five year limited warranty



Cod.	Model	Carton Qty	Pallet Qty
280.1290101	RAIN S 050	25	3300
280.1290102	RAIN S 050 S	25	3300
270.1010503	Check valve	50	-