

RAIN S075

Rain S075 is the first Rain s.p.a. gear driven sprinkler. Is designed for basic residential and light commercial application and is ideal for low flow applications.

Rain S075 rotates counter clockwise from fixed right start position and has an easy top adjustment procedure.

The arc range that is from 40° to 360° provides a full range of adjustment.

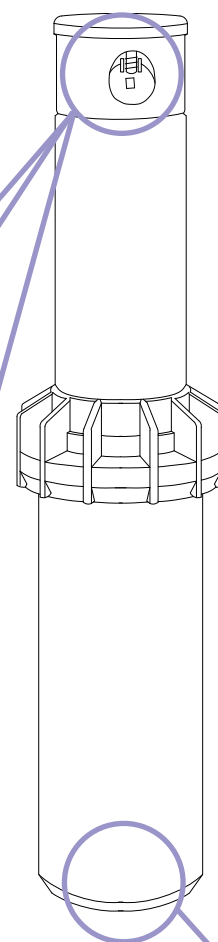
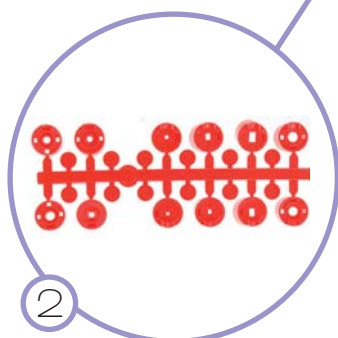
Rain S075 is capable of covering an area from 6,7 m to 15,9 m and is supplied with a wide selection of nozzles (8 standard with 25° nozzle trajectory and 4 low angle with 11° nozzle trajectory) in order to offer maximum flexibility to irrigation system design.

Its special wiper seal reduces leaks caused by debris trapped under seal.

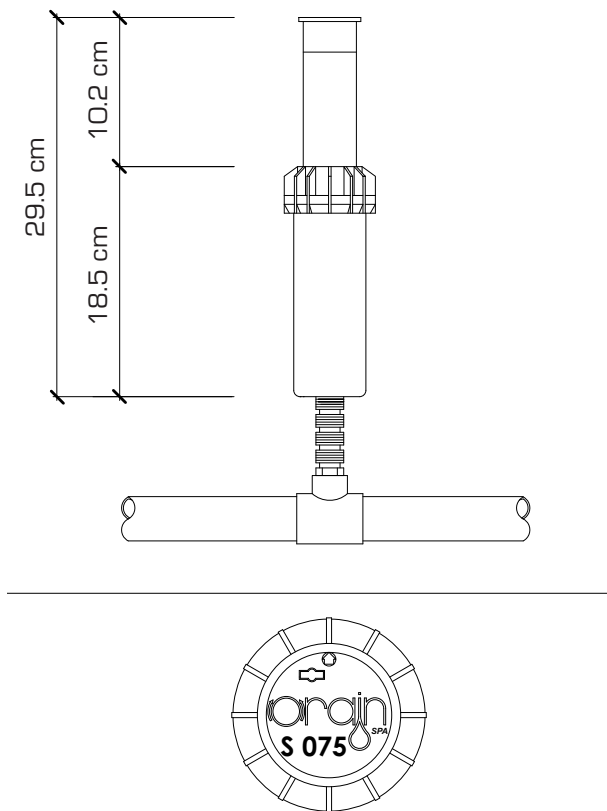


TECHNICAL FEATURES

- 1 S075 (Rubber Cover)
- 2 8 Standard Nozzles + 4 Low Angle Nozzles
- 3 Universal Tool
- 4 Check Valve



S075



NOZZLES PERFORMANCES 25°

Nozzle	Bar	m	l/min
3 Pre-installed	2.1	11.0	7.6
	2.8	11.6	9.1
	3.4	12.2	10.2
	4.1	12.2	11.0
0.5	2.1	8.5	1.9
	2.8	8.8	2.3
	3.4	8.8	2.7
	4.1	9.1	3.0
0.75	2.1	8.8	2.6
	2.8	9.1	3.0
	3.4	9.1	3.4
	4.1	9.4	3.8
1	2.1	9.1	3.4
	2.8	9.4	3.8
	3.4	9.4	4.5
	4.1	9.8	4.9
2	2.1	9.8	4.5
	2.8	10.1	5.3
	3.4	10.4	6.1
	4.1	10.4	6.8
4	2.1	11.0	9.8
	2.8	12.2	11.4
	3.4	12.8	12.9
	4.1	12.8	14.0
6	2.1	11.6	15.9
	2.8	13.1	18.5
	3.4	14.0	20.8
	4.1	14.3	22.7
8	2.8	13.7	22.7
	3.4	14.6	25.7
	4.1	14.9	28.8
	4.8	15.5	31.0

NOZZLES PERFORMANCES 11°

Nozzle	Bar	m	l/min
1	2.0	6.7	4.5
	3.0	7.3	6.4
	3.5	7.9	6.8
	4.0	8.5	7.6
3	2.0	8.8	11.4
	3.0	9.8	11.7
	3.5	10.7	13.2
	4.0	11.3	14.4
4	2.0	9.4	12.9
	3.0	10.4	14.8
	3.5	11.3	16.7
	4.0	11.6	17.8
6	3.0	11.6	24.6
	3.5	12.2	27.6
	4.0	12.8	30.3
	5.0	13.4	32.6

Specifications

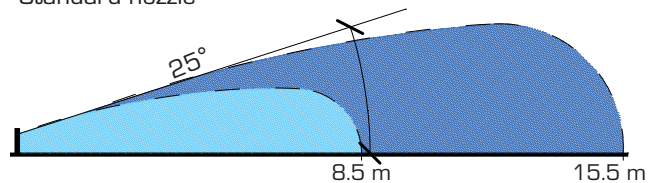
- Inlet: 3/4" F
- Arc Adjustment Range: 40° to 360°
- Flow Range: 1,9 - 53,4 l/m
- Pressure Rating: 2,0 - 5,0 Bar
- Precipitation Rate: 0,3 to 2,9 cm per Hour
- Overall Height (Popped down): 18,7 cm
- Recommended Spacing: 7,6 to 13,7 m
- Radius: 6,7 to 15,5 m
- Nozzle Trajectory: 25
- Low Angle Nozzle Trajectory: 11
- 8 standard and 4 Low Angle Nozzle Included
- Riser Height: 10,2 cm

Features end Benefits

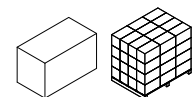
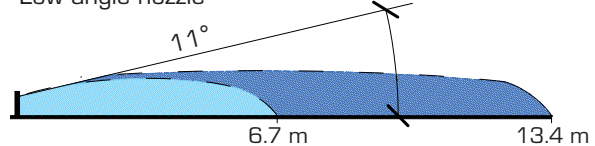
- Right Position Start–Rotor rotates counterclockwise from fixed right start position
- Full and Part circle rotation–provides a full range of adjustment from 40° to 360°
- Non-flushing wiper seal–reduces leaks caused by debris trapped under seal
- 3/4" Inlet–Replaces all standard rotors
- Ideal for low flow applications
- Rubber Cover–Seals out dirt and increases product durability
- Wide Selection of Nozzles–Including standard and low angle, provides flexibility in system design.
- Five Year Limited Warranty.

Nozzles Radius

Standard nozzle



Low angle nozzle



Cod.	Models	Carton Qty	Pallet Qty
280.1150100	RAIN S 075	20	1920
270.1009110	Check valve	100	-